



COMPANY PROFILE

Each Step We Care



UNITED
ORTHOPEDIC®

The United Orthopedic Solution

Our business is rooted in caring about surgeons and their patients, listening to our customers, and responding quickly and directly to their surgical needs. To achieve this vision, United Orthopedic developed a proprietary, vertically-integrated manufacturing model in which we carefully control every critical step of the design, development, and manufacturing processes. The result of this integration is top quality, versatile solutions that meet the surgical needs of our customers in a timely and efficient manner.

Today, we continue to invest in research and development initiatives including advanced manufacturing technology to help ensure that we deliver a versatile product portfolio that reflects our deep commitment and dedication to surgeons and patients of the orthopedic community. Since 1993, United Orthopedic's award-winning product lines and customer support have earned the trust of practitioners and their patients in 52 countries around the globe.

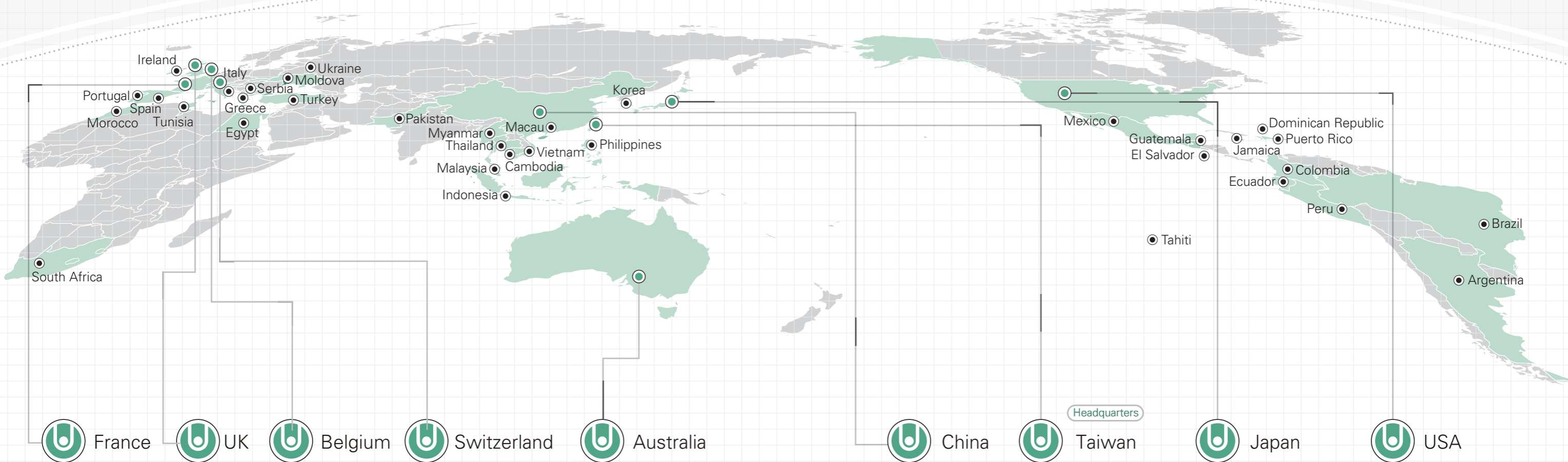
The History of United Orthopedic

United Orthopedic was founded by Jason Lin who, after years of serving orthopedic surgeons as a distributor, cared deeply about providing surgeons with greater access to high quality orthopedic solutions. In 1993, Lin brought together surgeon thought leaders, engineers, and manufacturing professionals to explore innovative, cost-effective ways to create improved and advanced orthopedic surgical solutions. By listening to what surgeons were asking for, and by integrating the design and production processes, United Orthopedic was able to create high quality, versatile products and provide greater responsiveness to surgeons' needs and, in turn, improving the clinical outcomes for their patients.

MORE THAN **52** COUNTRIES

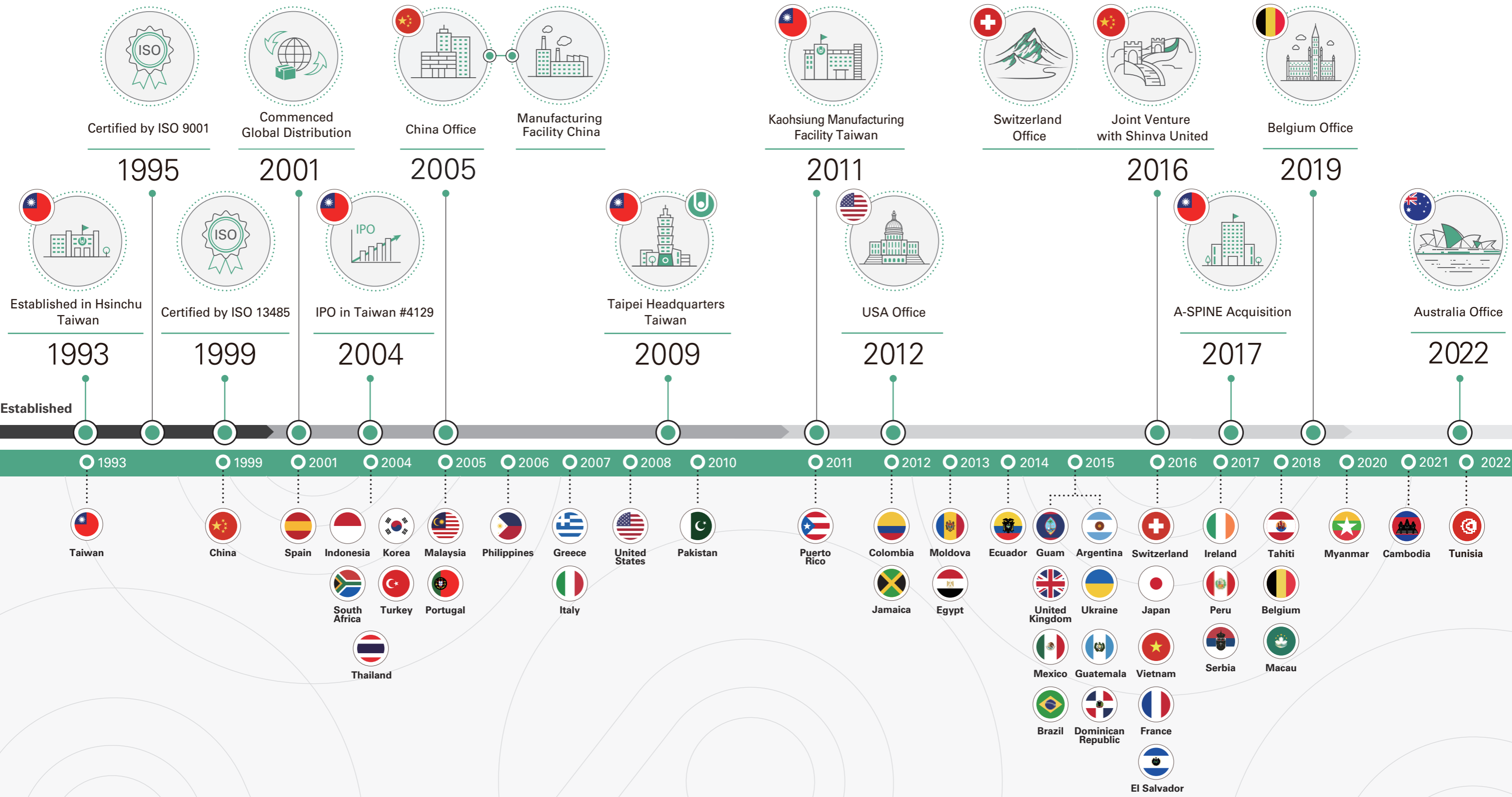
9 OFFICES

GLOBAL PERSPECTIVE



WORLDWIDE OFFICES

United Orthopedic Milestones



Trusted Partner For More Than 30 Years

For over 30 years, United Orthopedic has been a leading international designer, manufacturer, and distributor of versatile orthopedic solutions that deliver world-class orthopedic joint replacement implants which have made life better for hundreds of thousands of patients needing hip and knee replacements. To date, over 600,000 surgeries have been performed to help patients suffering with various degenerative hip and knee conditions regain their mobility and quality of life. In our quest to continue to improve the lives of patients, United Orthopedic cultivates and values its partnerships with international orthopedic surgeon thought leaders and healthcare institutions. These partnerships help United to innovate its products by developing new techniques and product designs to meet the demands of the modern orthopedic community.

Because at Each Step, We Care

Today United Orthopedic, based in Taiwan with 9 global branch offices, has grown to be a leading designer and manufacturer of innovative and versatile orthopedic products. Our product portfolio includes clinically-proven solutions used to perform total hip and knee replacement which includes primary, revision and limb salvage. In connection with its products, United provides its customers with critical clinical education and outstanding customer service and support. We take great care at every step in the design, manufacture, and delivery of our products to help ensure that we improve the complete spectrum of orthopedic device distribution from purchasing efficiency for healthcare institutions, to the surgical experience for surgeons, and finally and most importantly, the clinical outcomes for their patients.

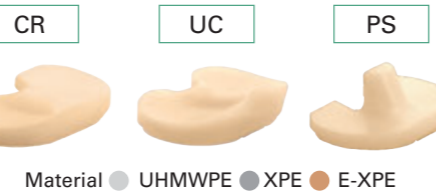


Comprehensive Total Knee System

Primary

U2™ Knee Total Knee System

U2 PF+ Knee Total Knee System



TPS PLUS Baseplate

All Poly Tibial Component



PF+ Baseplate

CMA Baseplate



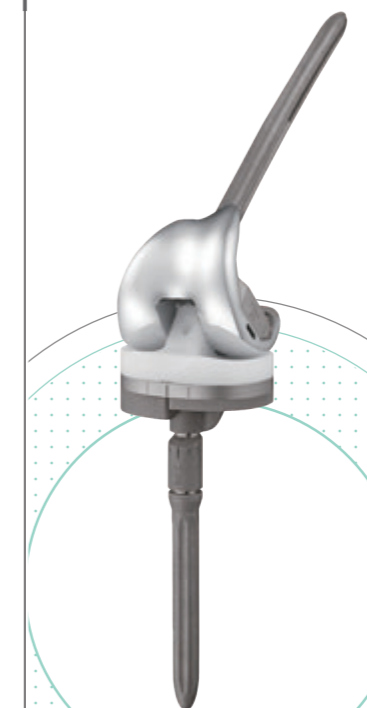
Complex Primary

U2 Knee with CMA Baseplate



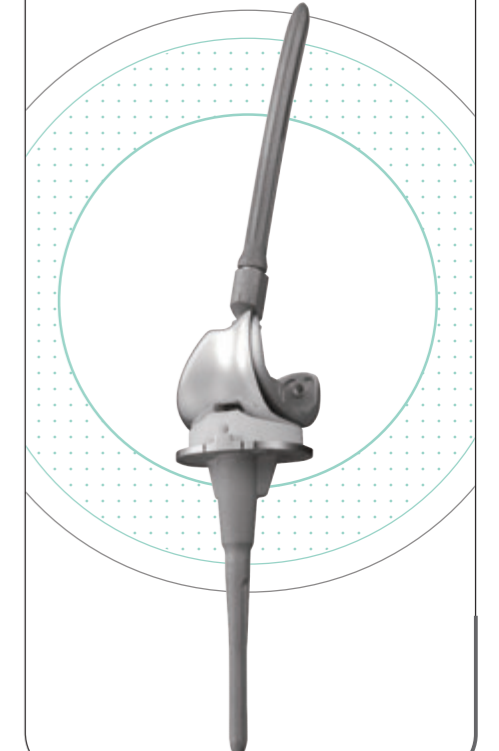
Revision

U2 PSA™ Knee Revision Knee System



Hinge

USTAR II™ Rotating Hinge Knee System



U2 MB™ Knee Mobile Bearing Total Knee System

Mobile Bearing Total Knee System



Mobile Bearing Insert

Mobile Bearing Congruent Insert



Material ● UHMWPE ● XPE

MB Baseplate

TPS PLUS Baseplate

MBA Baseplate



U2 MB Knee with MBA Baseplate



Multiple Choices of Augments and Stems



Press-fit and Cemented Stem Options



Offset Adapter Options



Femoral Distal and Posterior Augments



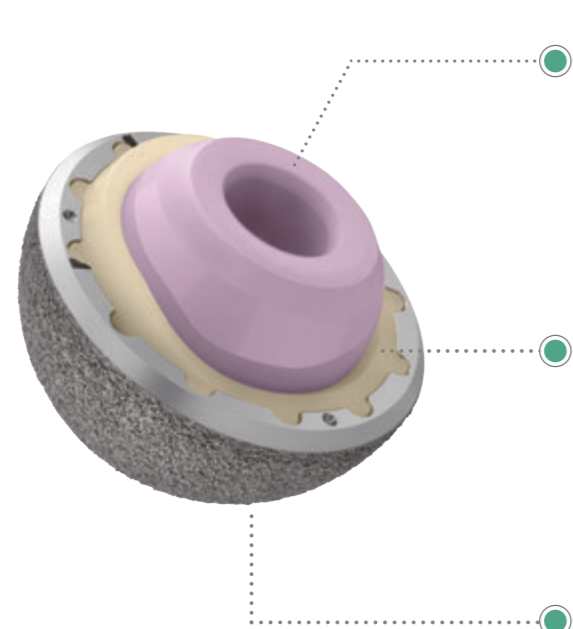
Tibial Baseplate Augments

Comprehensive Total Hip System

Acetabular Systems

Primary

U-Motion II™ Cup
Acetabular Hip System



CoCr BIOLOX® delta



Liner Material & Options



No-hole Cluster-hole Multi-hole



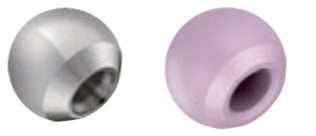
Full XPE™ Cup
Acetabular Hip System



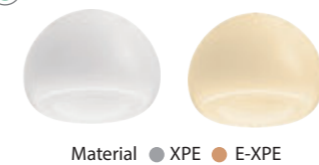
UDM™
Mobile Bearing Hip System



CoCr BIOLOX® delta



Mobile Liner



Material ● XPE ● E-XPE

Press-fit Peg-fixed Cemented



Revision

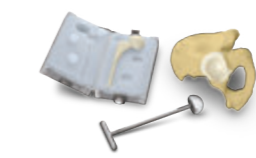
Locking Cage™
Revision Acetabular Hip System



BIOLOX® OPTION
Femoral Head System



RepliCase Hip™
Cement Spacer Mold



Fracture

Bipolar II™ Cap
Hemi-Arthroplasty Hip System



GTF II™ Stem
Femoral Hip System



Femoral Systems

Primary

Taper Type Stem

UTS™ Stem UTF™ Reduced Stem



Bone Compaction Type Stem

Conformity™ Stem



Cylindrical Type Stem

U2™ Hip Stem



Cemented Polished Stem

UCP™ Stem



Revision

U2™ Revision Stem



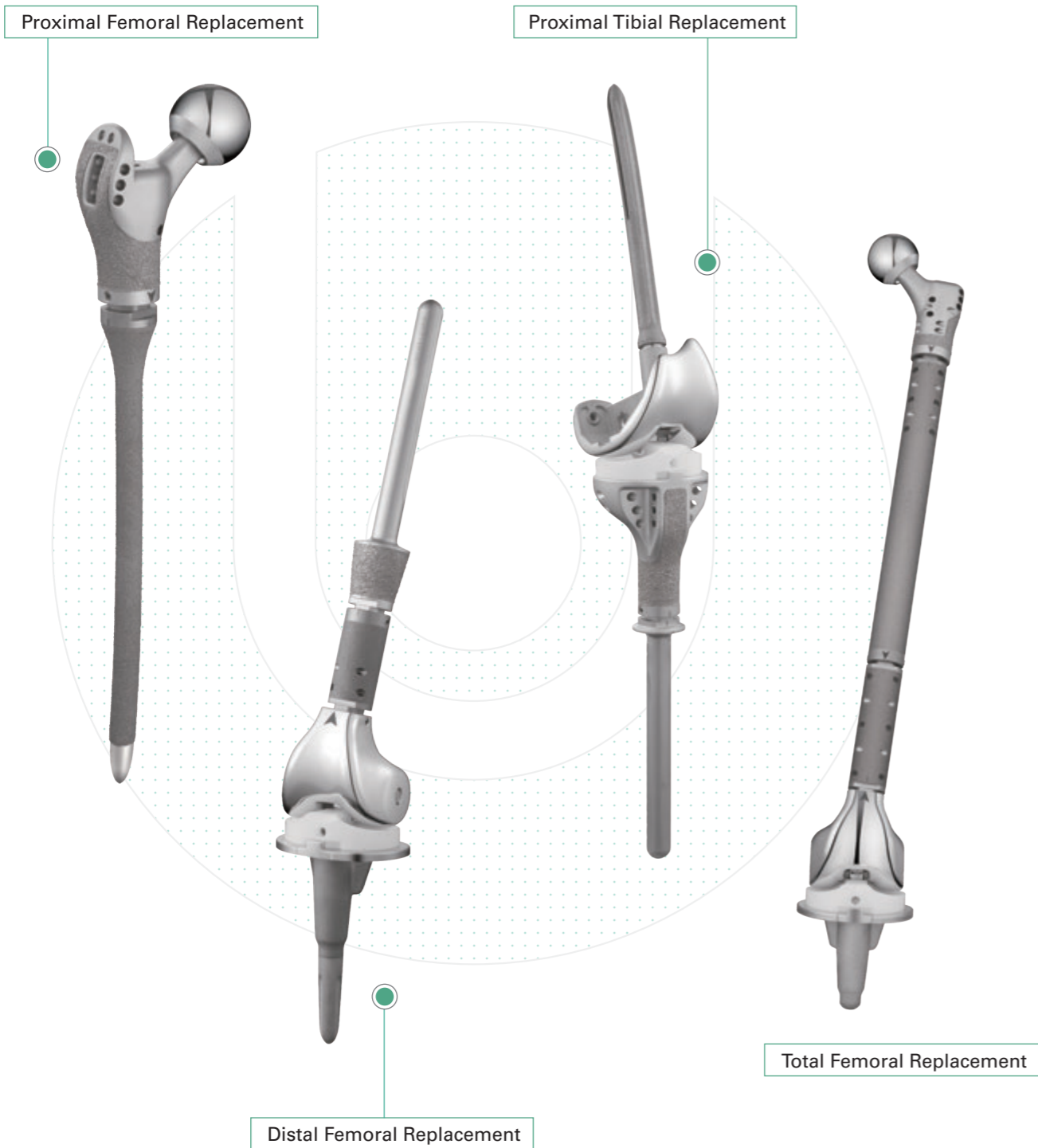
UCP™ Revision Stem



*BIOLOX® is a registered trademark of the CeramTec Group, Germany

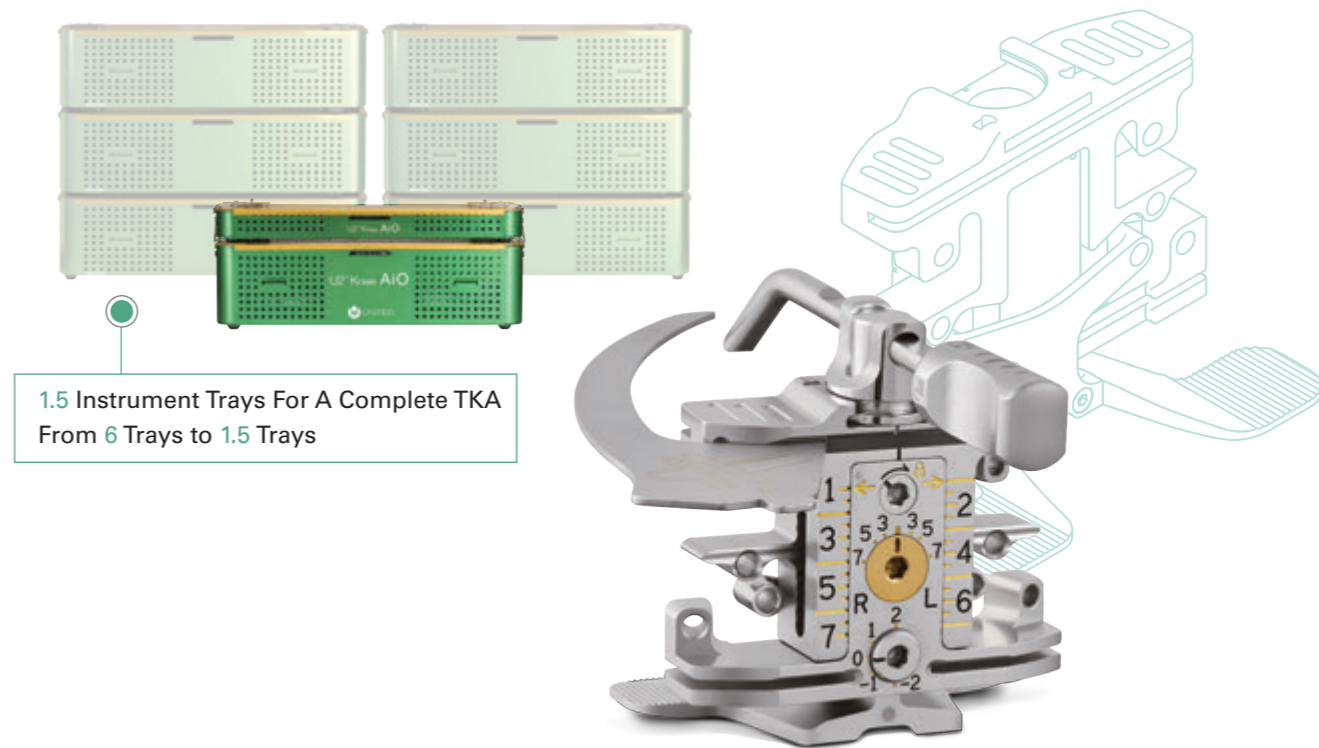
⦿ Limb Salvage

USTAR II™ Limb Salvage System



⦿ Innovation

U2 Knee AiO™ All-in-One Sizing and Resection Block



U2 Knee MDT™ Single-Use Modular Disposable Trial





Please note that all United Orthopedic Corporation product brochures have been authored in the English language. Any translations into other languages have not been reviewed or approved by United Orthopedic Corporation and their accuracy cannot be confirmed. Any questions regarding United Orthopedic Corporation products should be directed to United Orthopedic Corporation at unitedorthopedic.com/contact

